

An Ideal Photomicrosensor for Detecting Liquid Levels in Transparent Pipes

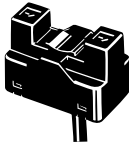
# EE-SPX613

*Incorporates a Sensitivity Selector, Built-in Amplifier, and Operation Mode Selector*

- Suitable for any 6- to 13-mm diameter transparent or semi-transparent pipe with a wall thickness of 1 mm
- Adopting the clean-cord (without powdery remover) can be used in a clean room.
- Power supply voltage: 12 to 24 VDC

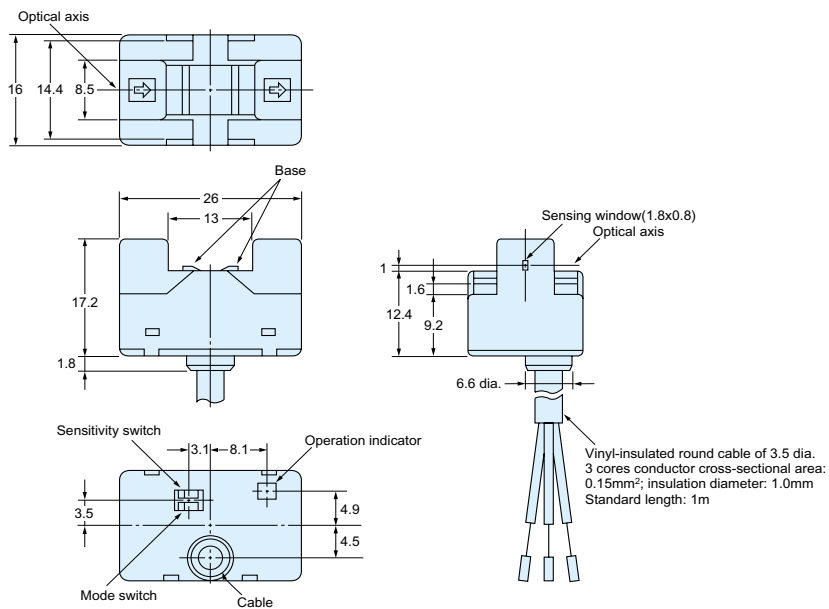


## Ordering Information

Sensor type	Shape	Output form	Output form	Model
Through-beam (slot)		NPN output	Dark ON Light ON Selectable	EE-SPX613

## Dimensions (Unit: mm)

### EE-SPX613



CAD file EE\_28